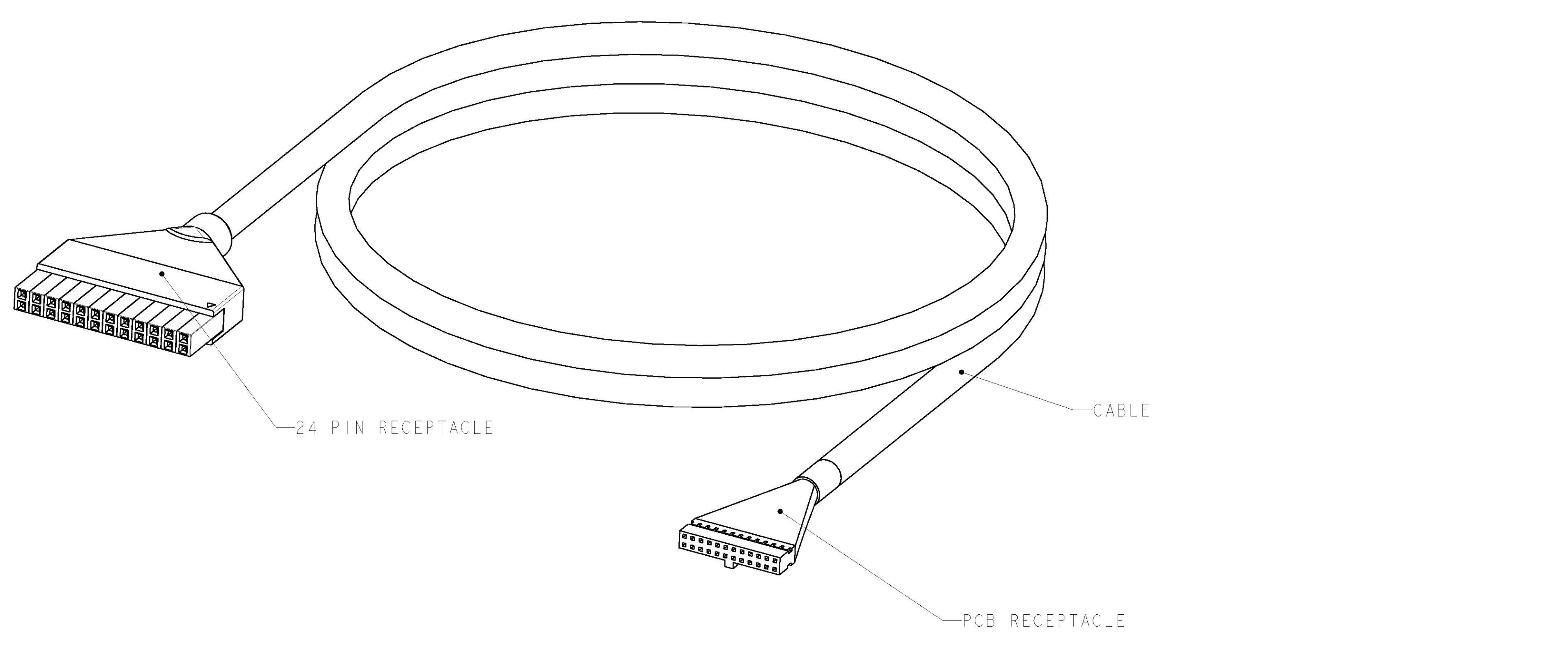
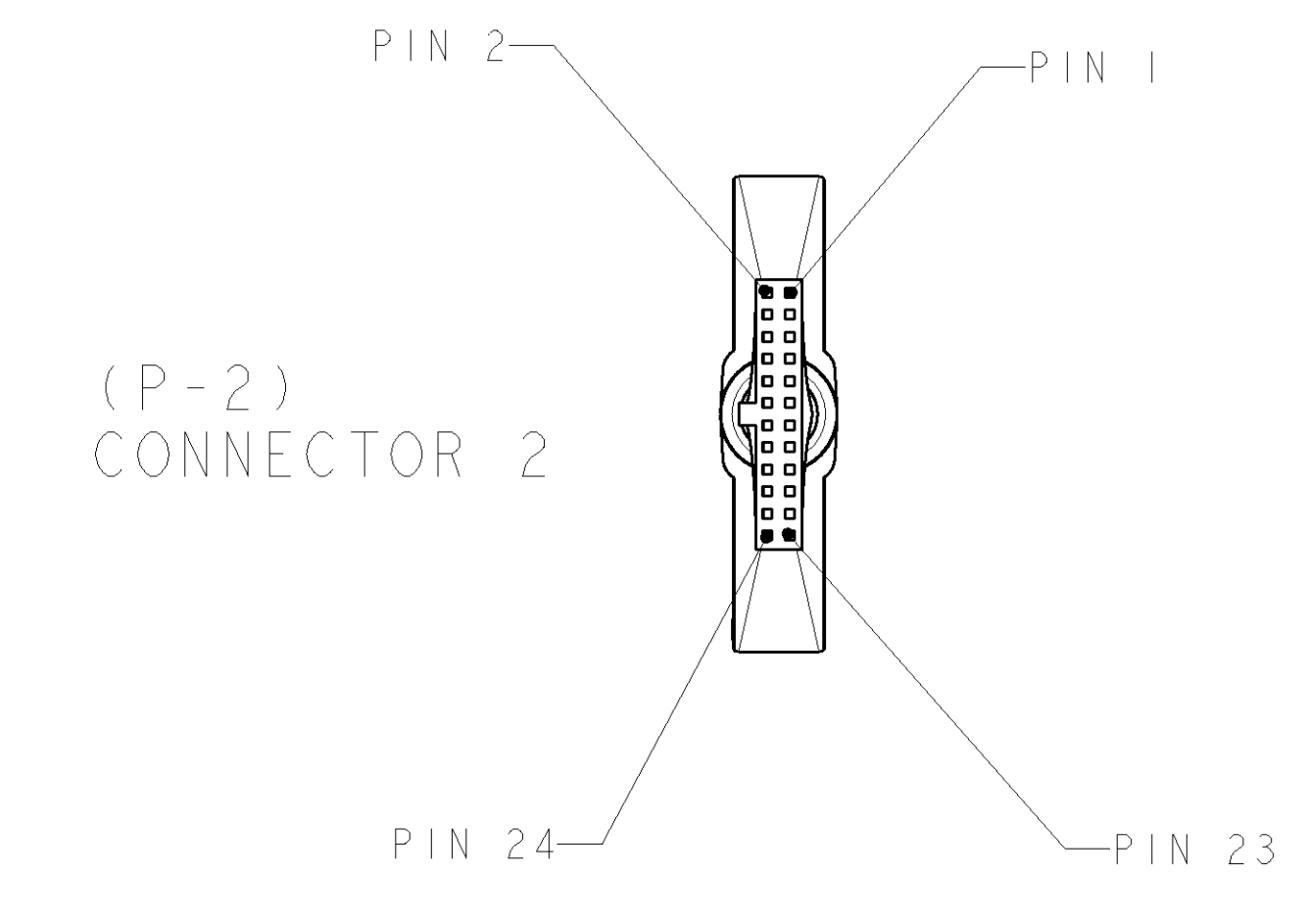
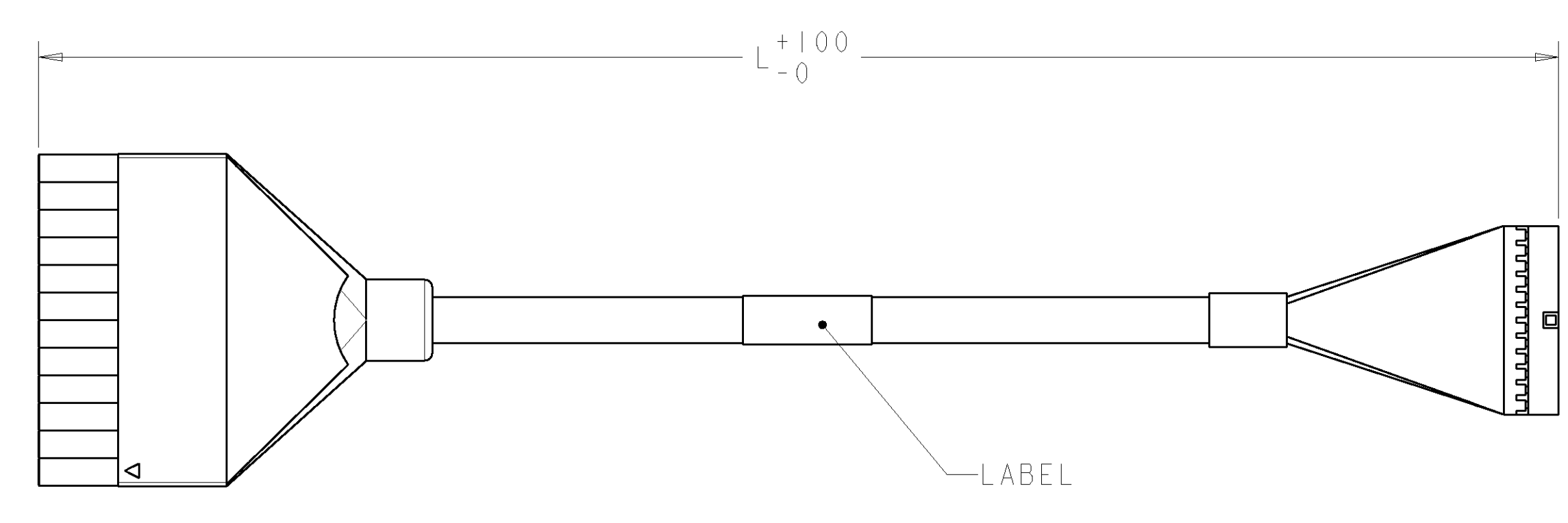
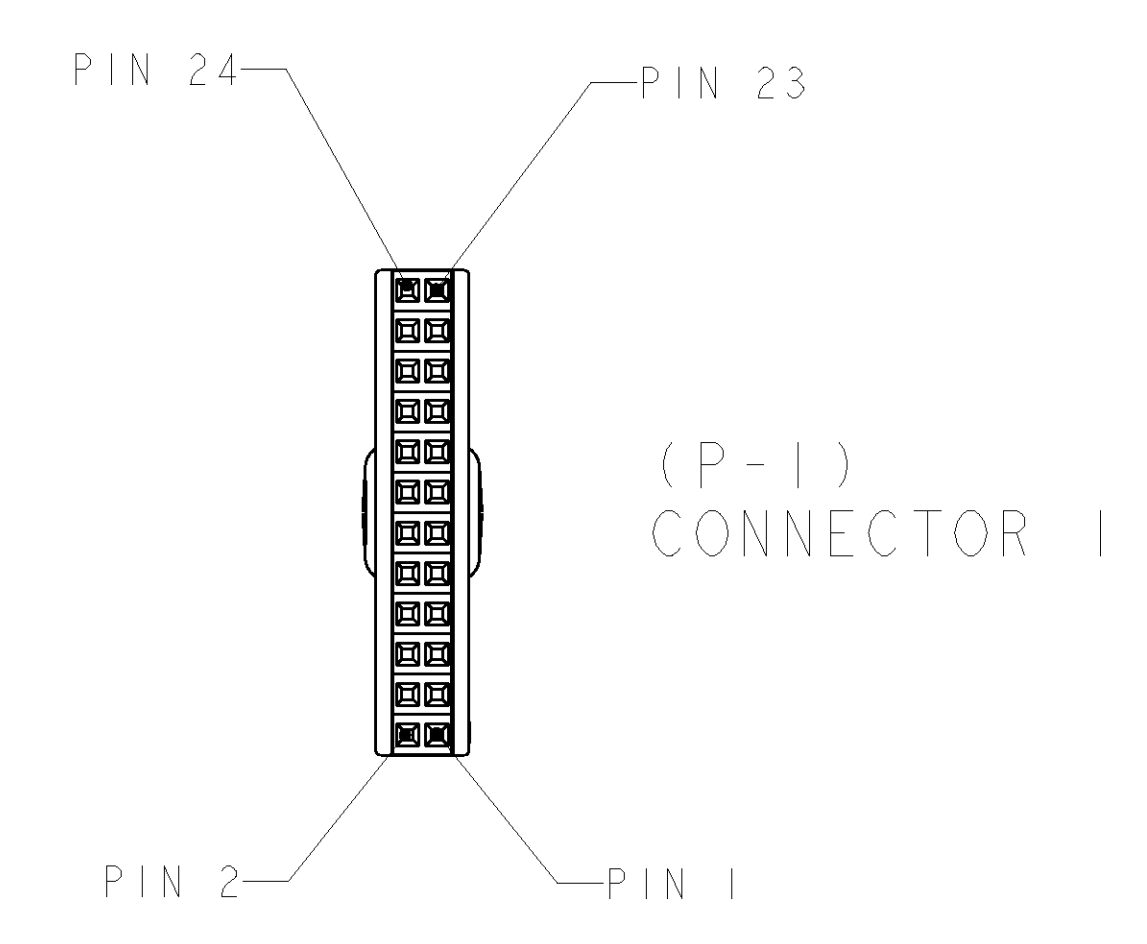


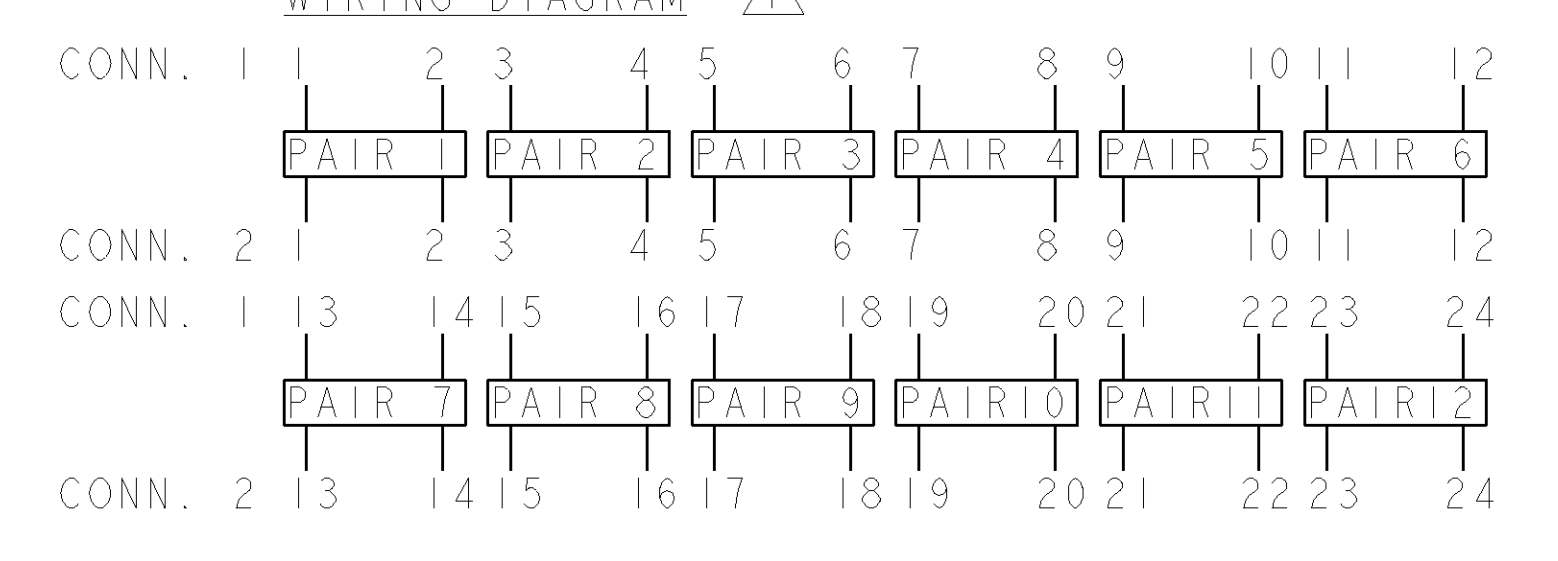
LOC		DIST		REVISIONS			
P	LTR	DESCRIPTION	DATE	DRN	APVD		
B	I	ESE0-0070-03	01-Sep-03	JG	JG		
C		ESE0-0110-03	06-Nov-03	JG	JG		
D		ESE0-0122-03	17-Nov-03	JG	AP		
E		ESE0-0048-04	25-Mar-04	JG	JG		



⚠ CABLE ASSEMBLY SHALL BE WIRED PER WIRING DIAGRAM.



WIRING DIAGRAM ⚠



METER	L	PART NO.
15	15000.0	1-1435337-5
10	10000.0	1-1435337-0
5	5000.0 [196.85]	1435337-5
3	3000.0 [118.11]	1435337-3
2	2000.0 [78.74]	1435337-2
1	1000.0 [39.37]	143537-1

<small>THIS DRAWING IS UNPUBLISHED. RELEASED FOR PUBLICATION BY TICO ELECTRONICS CORPORATION. ALL RIGHTS RESERVED.</small>		DRN: T. PITTS 25JUL02 ENR: L. SMITH 25JUL02 APVD: P. PEPE 25JUL02	<b>tyco</b> <b>Electronics</b> Tyco Electronics AMP Espana S.A. Barcelona, Spain
DIMENSIONS: mm [INCH]	TOLERANCES UNLESS OTHERWISE SPECIFIED: 0 PLC ± 1 PLC ± 2 PLC ± 3 PLC ± 4 PLC ± ANGLES ± FINISH ±	NAME: AMPTRAC I/O CABLE TO PCB LSZH PRODUCT SPEC: APPLICATION SPEC: WEIGHT:	SIZE: A   CAGE CODE: 00779   DRAWING NO: 1435337 RESTRICTED TO:
MATERIAL:		CUSTOMER DRAWING	SCALE: NTS SHEET 1 OF 1 REV E